

Electric lighting range

STAVANGER

WILLIAM SUGG
ESTD & CO. LTD 1837

The Stavanger lantern is a modern twist on the traditional railway style lantern. This beautiful and simple design is manufactured from spun aluminium with a clear polycarbonate glazing profile. The Stavanger is a stunning lighting option for a variety of settings, including villages with low level brightness.

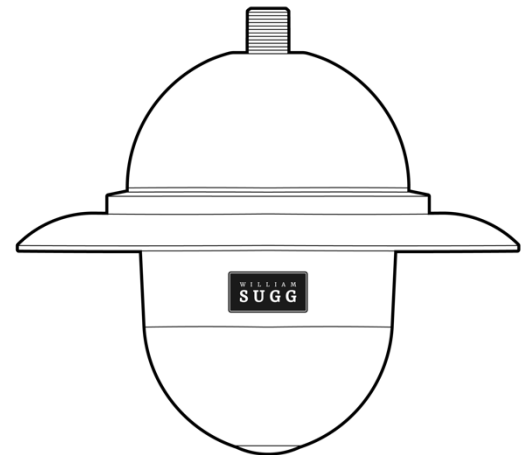
The Stavanger lantern is available with a range of lamp types including LED, complete with heat sinks and electronic controls.

The glazing is retained and released by removing three captive quarter turn screws which drops the lampholder, reflector tray and the glazing for terminating incoming supplies and undertaking ongoing maintenance.

The Stavanger lantern is pendant mounted with a 1/2" BSP coupling as standard; a side fixed bracket is also available if a restriction in height may affect the mounting position. The standard Stavanger lantern is supplied with a glass refractor and a lampholder to suit desired specification. If opal glazing is chosen a simple lampholder is all that is required.

Features

- Available in one size - (350mm in width). *Please note all dimensions are approximate and subject to minor change.*
- **Light sources:** Conventional lamps and high performance COB LED, with a range of optical distributions to meet varied applications, are available.
- **Lantern construction:**
 - IP65 rated.
 - These lanterns are manufactured in spun aluminium.
- **Glazing:** Polycarbonate glazing available in various finishes including, clear, opal and etched.
- **Control gear:** Integral gear with photocell controlled supply.
- **Finish options:** Durable and long-lasting polyester powder paint finishes in a full range of RAL colours. Specialist finishes, including marine grade, are available on request.
- Single and two-part electronic photocells are available upon request.



Further technical information available on request.

INGRESS PROTECTION	IP54	X
	IP65	✓
GLAZING	Glass	X
	PC	✓
LIGHT SOURCE	LED	✓
	Discharge	✓
	Emergency	✓
FINISH OPTIONS	RAL colour range	✓
	Natural copper	✓
	Polished copper	✓
	Lacquered	✓
	Other	✓



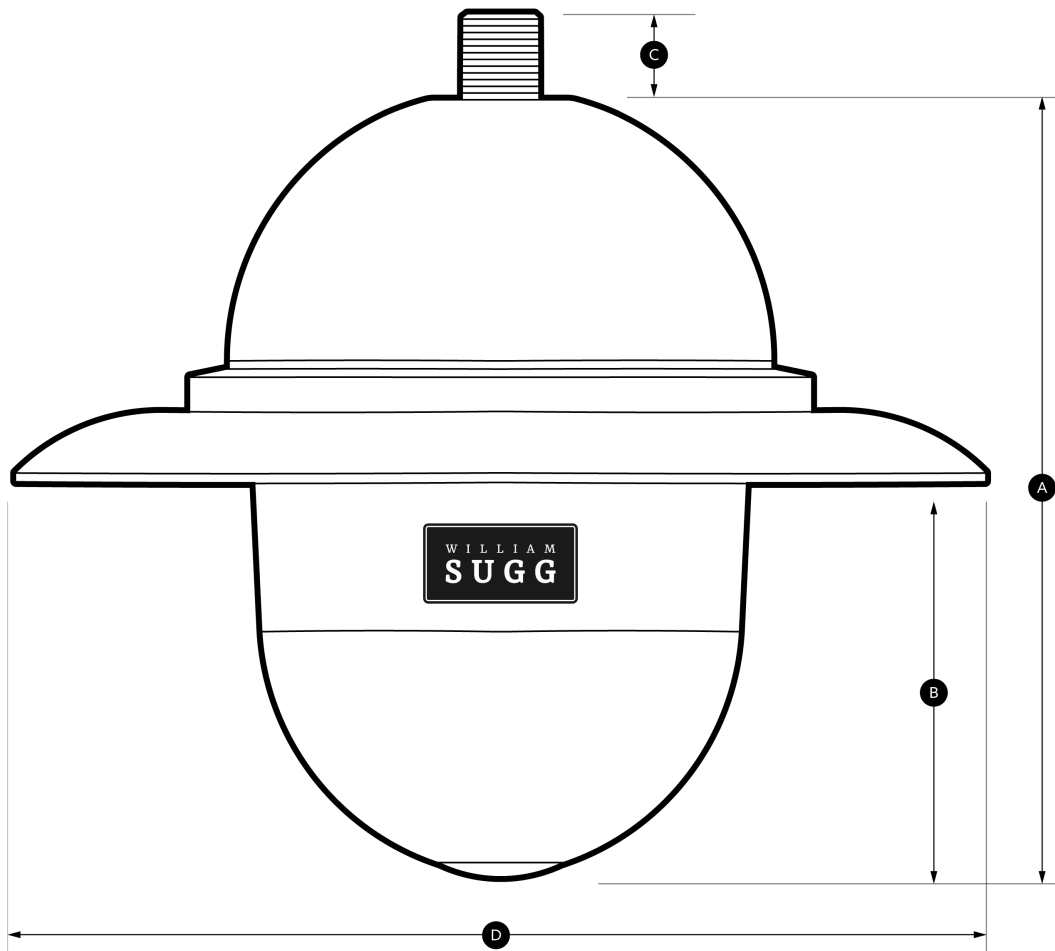
Follow us @WSuggLighting
#WilliamSuggLighting

23 Blatchford Close, Horsham, T: +44 (0)1293 540111
West Sussex RH13 5RG F: +44 (0)1293 540114

E: enquiries@williamsugg.co.uk
williamsugg.co.uk

Electric lighting range
STAVANGER

WILLIAM SUGG
ESTD & CO. LTD 1837



DIMENSIONS	STAVANGER
A. LANTERN HEIGHT	285mm
B. DEPTH BELOW BRIM	140mm
C. STANDARD ENTRY	(30mm) 1/2" BSP coupling
D. WIDTH	360mm
WEIGHT (APPROXIMATE)	4kg



Follow us @WSuggLighting
#WilliamSuggLighting

23 Blatchford Close, Horsham, T: +44 (0)1293 540111
West Sussex RH13 5RG F: +44 (0)1293 540114

E: enquiries@williamsugg.co.uk
williamsugg.co.uk