



Place du midi PM bollard

Cast iron bollard

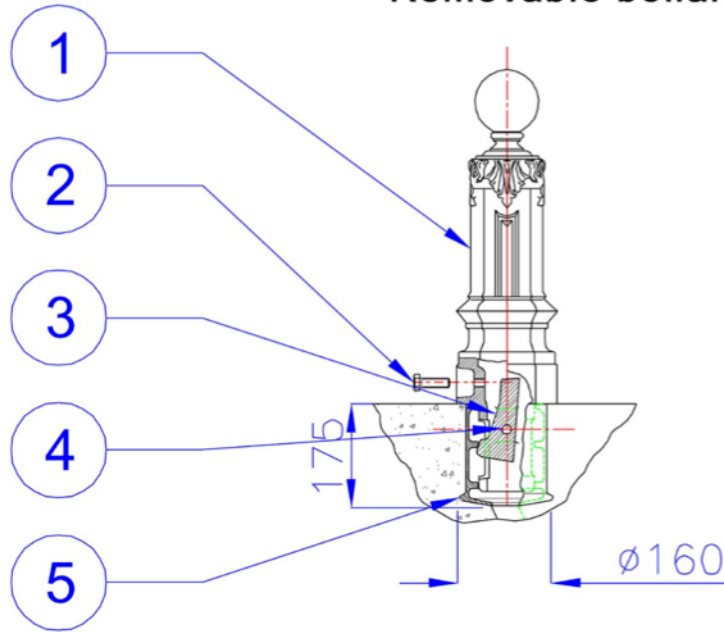


place du midi

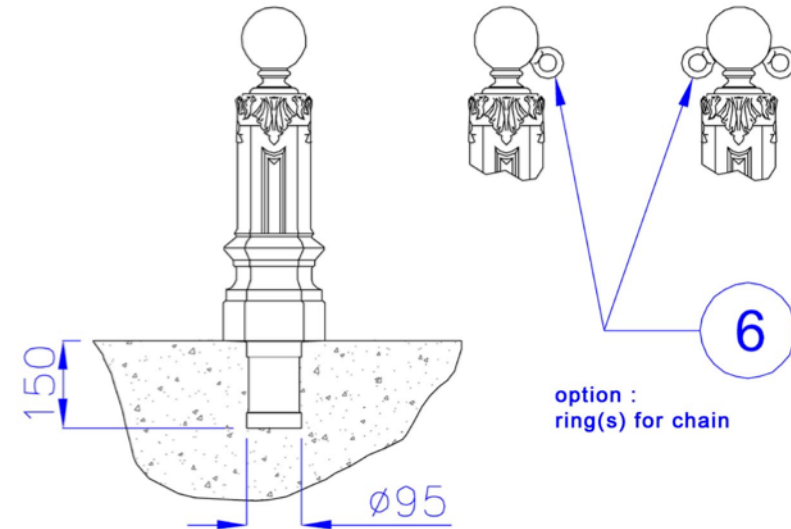


Supplied assembled

Removable bollard



Fixed bollard



| Item | Nb | Description |
|------|-----------|---------------|
| 1 | 1 | body |
| 2 | 1 | Screw |
| 3 | 1 | Lock device |
| 4 | 1 | Shaft |
| 5 | 1 | Ground sleeve |
| 6 | 0, 1 or 2 | Ring |

bollards