

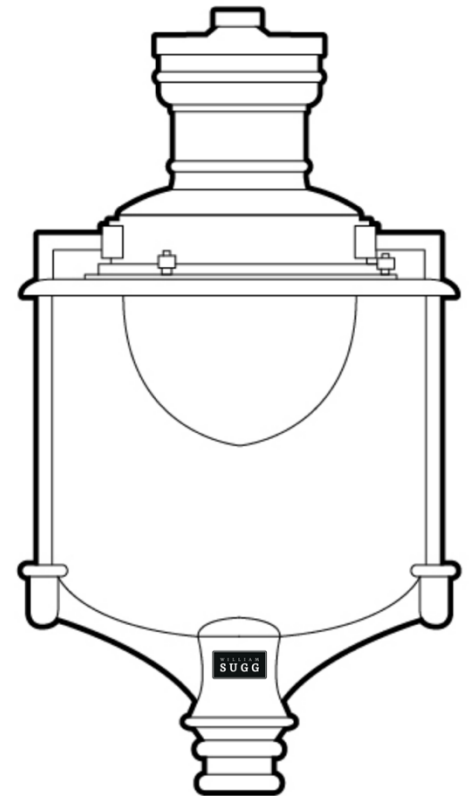
UPRIGHT ROCHESTER

The Upright Rochester range of post top luminaires recreates the traditional look of railway lanterns of the past. The Upright Rochester is a traditional heritage post top lantern which has clear glazing. The lantern is widely used throughout Covent Garden, the Theatre District in London and also the Central District in Hong Kong.

The Upright Rochester is manufactured from a combination of aluminium spinnings with an aluminium cast top section. The fittings are suitable for traditional applications. The Upright Rochester luminaire has a cast post top section with two arms to support the lantern; a steel fabricated version is also available. The glazing is held by three stainless steel retaining couplings, that when released lower the brim down for access for maintenance.

Features

- Available in three sizes. '**Small**' - 14" (360mm), '**Medium**' - 23" (590mm) and '**Large**' - 29" (740mm). *Please note all dimensions are approximate and subject to minor change.*
- **Light sources:** High performance LED (COB, LED panels, LED mantles). Conventional lamps with a range of optical distributions to meet varied applications are also available.
- **Lantern construction:**
 - IP65 rated.
 - Drop down brim and glazing for access for maintenance.
- **Glazing:** Clear and opal polycarbonate glazing, sealed by compression by the hinged brim and over centre latches. Other options available including, etched and glass by special request.
- **Control gear:** The gear tray is mounted internally, in the upper part of the luminaire housing.
- **Finish options:** Durable and long-lasting polyester powder paint finishes in a full range of RAL colours. The lantern is finished in black RAL 9005 as standard. Specialist finishes, including marine grade, are available on request.
- Dark skies compliant.
- Emergency versions available.
- Single and two-part electronic photocells are available upon request.



Mounting options

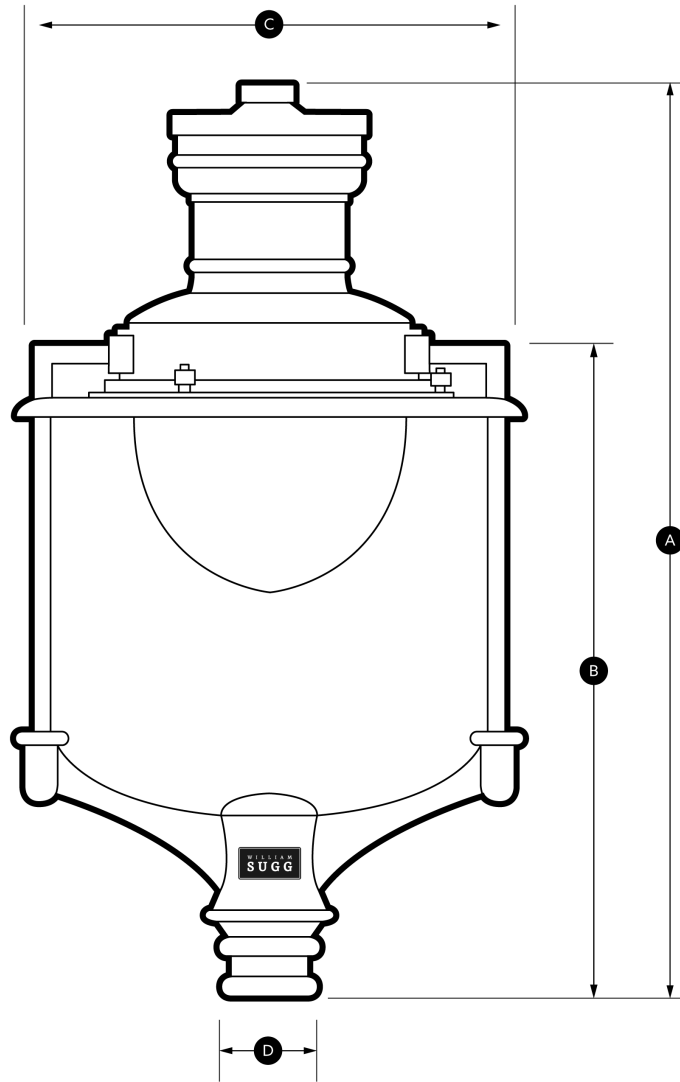
- Cast base: A solid, aluminium casting, powder coated and with an entry suitable for a column or bracket with a 76mm spigot.

Further technical information available on request.

INGRESS PROTECTION	IP54	X
	IP65	✓
GLAZING	Glass	✓
	PC	✓
LIGHT SOURCE	LED	✓
	Discharge	✓
	Emergency	✓
FINISH OPTIONS	RAL colour range	✓
	Natural copper	X
	Polished copper	X
	Lacquered	✓
	Other	✓



UPRIGHT ROCHESTER



DIMENSIONS	SMALL	MEDIUM	LARGE
A. LANTERN HEIGHT	540mm	885mm	1185mm
B. LAMP HEIGHT	370mm	565mm	850mm
C. DIAMETER/WIDTH	360mm	590mm	740mm
D. STANDARD ENTRY	76mm	76mm	76mm
WINDAGE AREA	0.09m ²	0.17m ²	0.28m ²
WEIGHT (APPROXIMATE)	6kg	9kg	15kg

